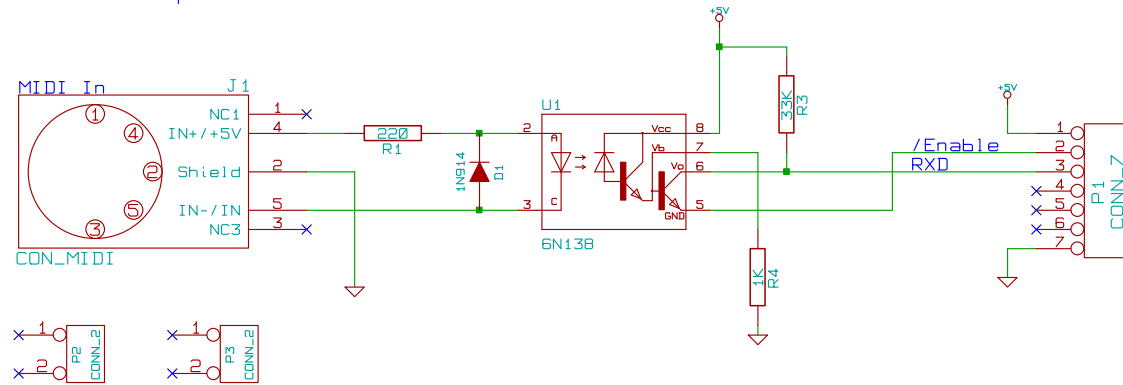


# MIDI In Adaptor



uChobby	
File: SBBMIDIInAdaptor.sch	
Sheet: /	
Title: MIDI In Adaptor	
Size: A	Date: 28 dec 2008
KiCad E.D.A.	EESchema (20080825c)
Rev: A	Id: 1/1