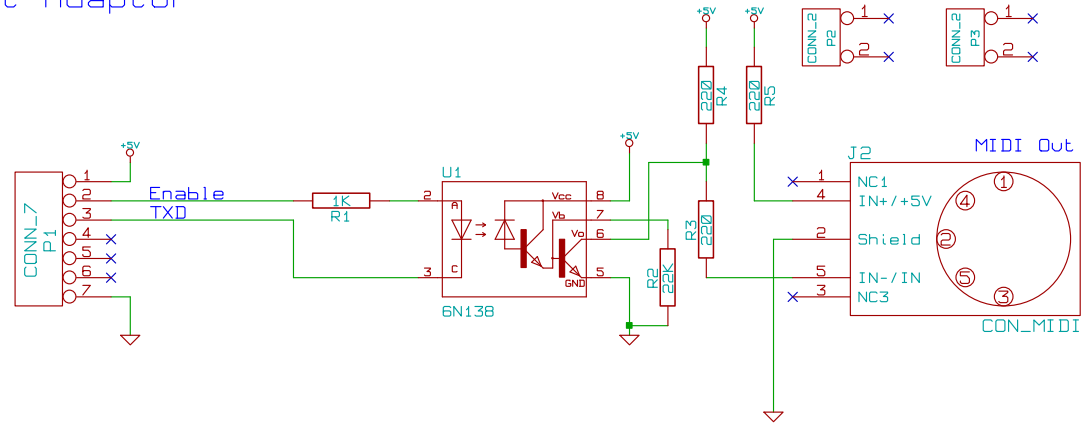


MIDI Out Adaptor



uCHobby	
File: SBBMIDIOutAdaptor.sch	
Sheet: /	
Title: MIDI Out Adaptor	
Size: A	Date: 31 dec 2008
KiCad E.D.A.	EESchema (20080825c)
Rev: A	Id: 1/1